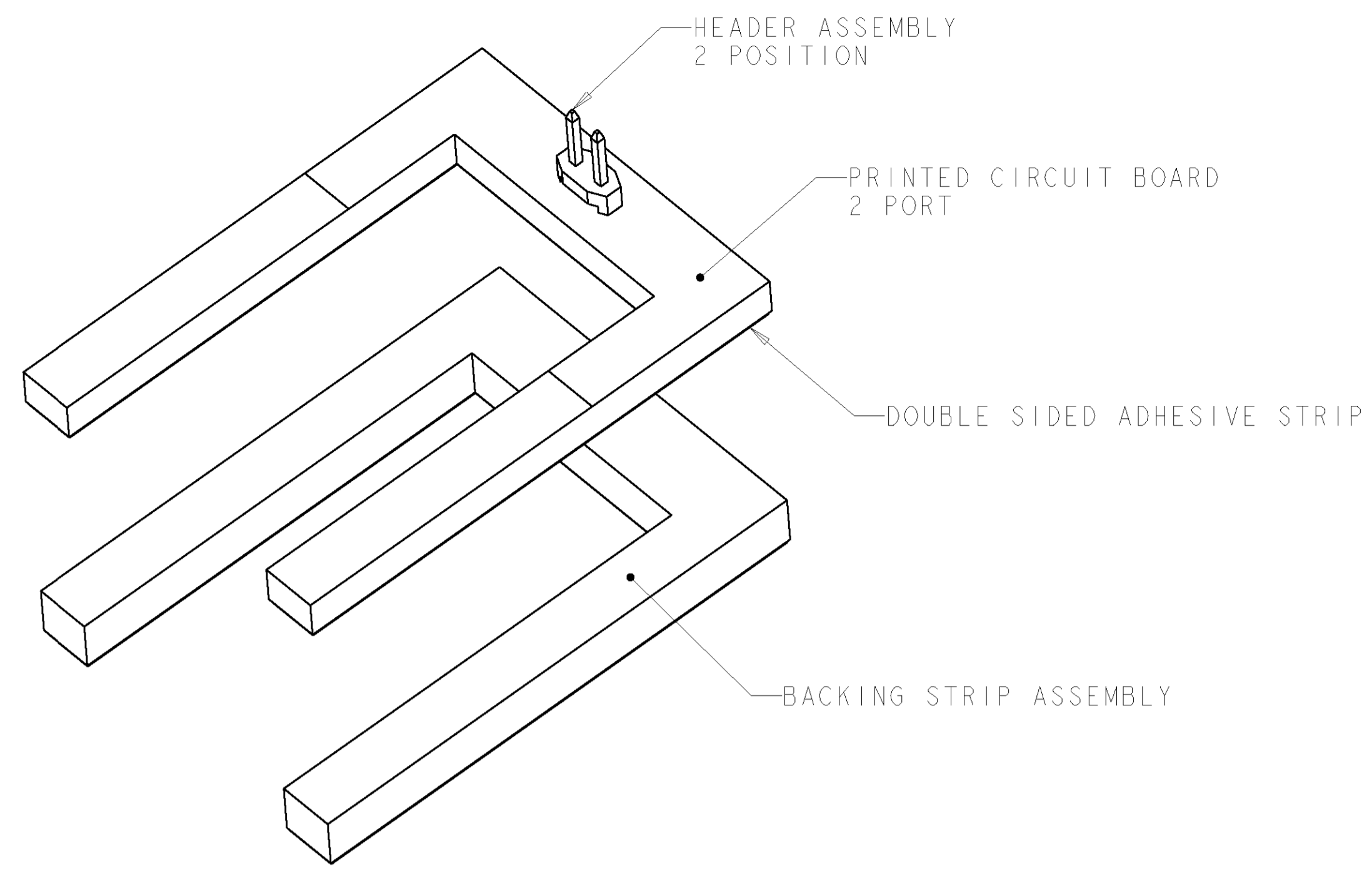
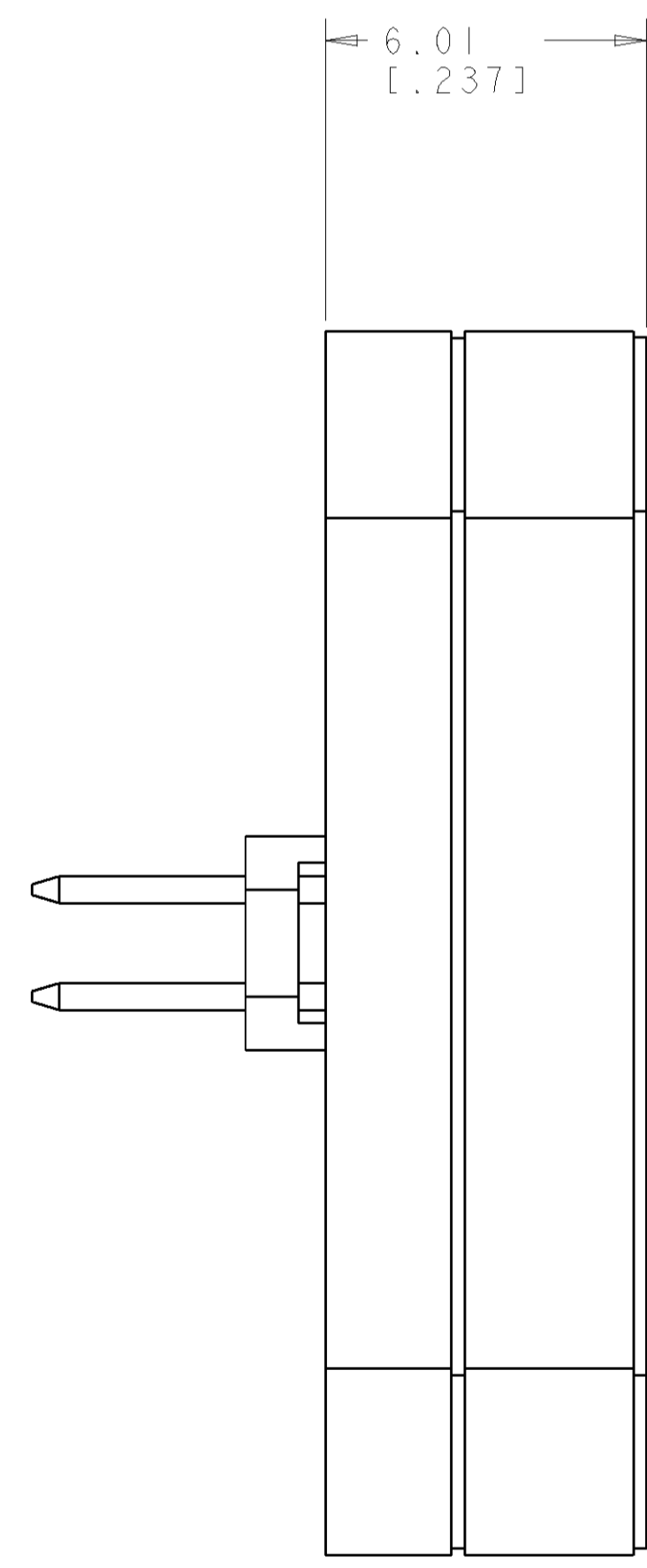
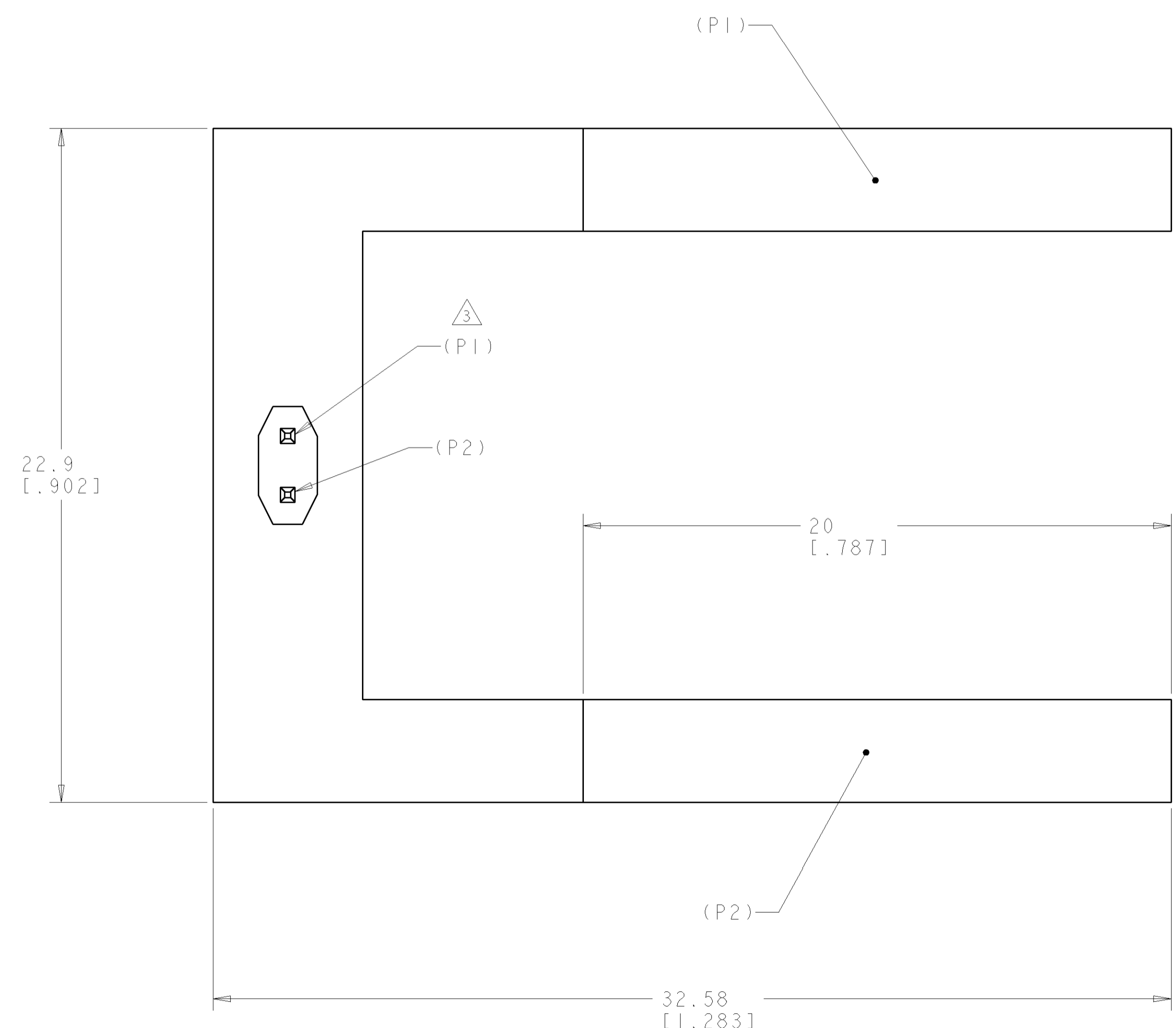


LOC		DIST		REVISIONS			
HM	00	P	LTR	DESCRIPTION	DATE	DWN	APVD
		A		RLSD: 0B60-0019-05	08MAR2005	GG	MD



- 1 MATERIAL:
 PRINTED CIRCUIT BOARD - LAMINATED PLASTIC FR-4, 2.36 [.093] THICK.
 ADHESIVE TAPE - MYLAR, 0.38 [.015] THICK.
 BACKING STRIP ASSEMBLY - FR-4, 3.93 [.155] THICK.
 HOUSING - THERMOPLASTIC, UL94V-0, BLACK.
 CONTACTS - COPPER ALLOY.
- 2 ALL DIMENSIONS SHOWN ARE NOMINAL.
- 3 (P_) CALLOUTS ARE FOR PIN TO PAD REFERENCE ONLY.

SCALE 4:1



1435818-1
 PART NUMBER

<small>THIS DRAWING IS UNPUBLISHED. RELEASED FOR PUBLICATION BY TYCO ELECTRONICS CORPORATION. ALL RIGHTS RESERVED.</small>		DWN G. GARRETT 08MAR2005 ENR M. DELPHIAS 08MAR2005 APVD M. DELPHIAS 08MAR2005	tyco Electronics Tyco Electronics Harrisburg, PA 17105-3608
DIMENSIONS: MM [INCHES]	TOLERANCES UNLESS OTHERWISE SPECIFIED: 0 PLC ± .1 1 PLC ± .1 2 PLC ± .1 3 PLC ± .1 4 PLC ± .1 ANGLES ± .1	NAME ASSEMBLY, AMPTRAC SENSOR STRIP, 2 PORT, U-SHAPED PRODUCT SPEC - APPLICATION SPEC -	SIZE CAGE CODE DRAWING NO RESTRICTED TO A 100779 C-1435818 -
MATERIAL - FINISH -	WEIGHT - CUSTOMER DRAWING	SCALE 8:1 SHEET 1 OF 1 REV A	